

SONAPHONE S-SB10.XX

Stationary SONAPHONE for online monitoring of processes and machines

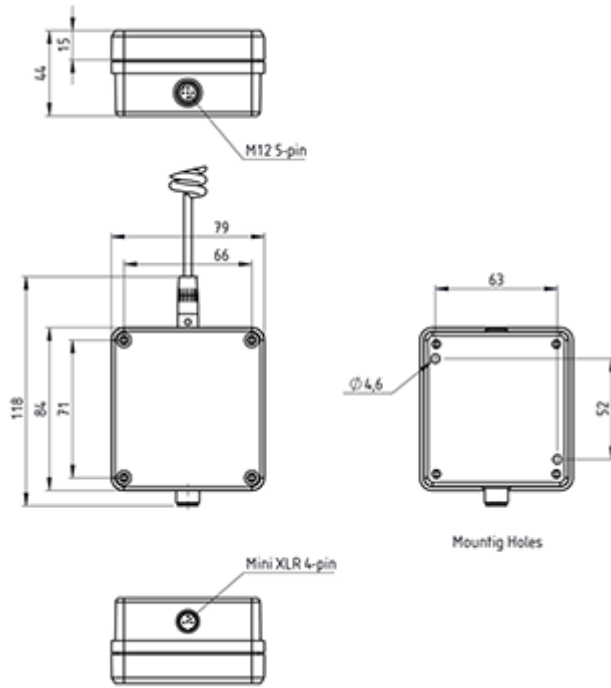
Advantages:

Continuously
monitoring of your
machines and
processes

Trend analysis

RS485-Interface
and power outlet

[Get A Quote](#)





Accessories



Structure-borne Sound Probe T10

Compact structure-borne sound probe for monitoring of processes and machines up to 100 kHz



Airborne Sound Probe L 50

Applications: Leak Detection, Tightness Testing



Structure-borne Sound Probe L52

Applications: testing of steam traps, inspection of rotating machines

With the 'Stationary SONAPHONE S-SB10.xx' and its associated probes machine and plant processes can be monitored permanently, insofar as a detectable ultrasonic level is generated. A fixed installation at an inspection point enables trend monitoring for longer periods. Based on changes of the ultrasonic sound level the assessment of plant condition is possible. Different probe versions support airborne sound and structure-borne sound applications.

Technical Data

Device type	Sensor box for the use of different probes to monitor ultrasonic sound levels stationary		
Frequency range	Up to 100 kHz (variable, upon request)		
Measuring range	0 ... 128 dB μ V		
Mounting	2 threaded holes (see technical drawing)		
Operating voltage	9 ... 24 VDC		
Electrical connection (see also pin assignment)	Input /	S-SB10.01	Mini-XLR
	Connection for probes (others upon request)	S-SB10.02	BNC
	Output: 5 pin M12 connector		
Interfaces	Current output: 0/4 ... 20 mA for sound level RS485 interface (for configuration)		
Housing material	Cast aluminum alloys, powder-coated		
Operating temperature	-10 °C ... +40 °C		
Storage temperature	-20 °C ... +60 °C		
Degree of protection	IP54		
Dimensions (L x W x H)	84 x 79 x 44 mm (for details see drawing)		
Weight	ca. 350 g (without cable and probes)		
Versions	S-SB10.01	Connector: Mini-XLR	200 01 0328
	S-SB10.02	Connector: BNC	200 01 0329
Scope of delivery	Stationary SONAPHONE S-SB10.xx, Technical Data Sheet		
Accessories (optional)	Connecting cable with shielded connector M12 and open end, PVC grey (others upon request)		
Order number	2 m	5 m	10 m
	400 01 0061	400 01 0060	400 01 0170

Downloads

Type	Title	Size
	Technical Data Sheet S-SB10.xx	462 KB

DO YOU HAVE ANY QUESTIONS?



Christian Schreiber

+49 (0)345 / 133 17-829

c.schreiber@sonotec.de