

Technical Data Sheet

SONOFLOW CO.55 V3.0

Ultrasonic Flow Sensor
for Non-Invasive Flow Measurement



SONOFLOW CO.55 V3.0 clamp-on flow meters measure the flow rate of liquids in flexible tubes of different diameters. With high accuracy, reproducibility and repeatability – even in the lowest flow range – the sensors are suited for a variety of applications. Various accessories allow for easy integration into bench top setups and industrial process environments.

Accuracy

Sensor variant with cover clasp

| SONOFLOW type | Accuracy (of reading) on specified tubing ¹ | | Typical flow range ² |
|------------------------|--|-----------------------|---------------------------------|
| | Low flow range | High flow range | |
| CO.55/0250 V3.0 | 0 ... 150 ml/min: ± 1.5 ml/min | > 150 ml/min: ± 1 % | 0 ... 1 000 ml/min |
| CO.55/0375 V3.0 | 0 ... 300 ml/min: ± 3 ml/min | > 300 ml/min: ± 1 % | 0 ... 4 000 ml/min |
| CO.55/0438 V3.0 | 0 ... 450 ml/min: ± 4.5 ml/min | > 450 ml/min: ± 1 % | 0 ... 4 500 ml/min |
| CO.55/0500 V3.0 | 0 ... 500 ml/min: ± 5 ml/min | > 500 ml/min: ± 1 % | 0 ... 5 000 ml/min |
| CO.55/0625 V3.0 | 0 ... 700 ml/min: ± 7 ml/min | > 700 ml/min: ± 1 % | 0 ... 10 000 ml/min |
| CO.55/0750 V3.0 | 0 ... 1 000 ml/min: ± 10 ml/min | > 1 000 ml/min: ± 1 % | 0 ... 15 000 ml/min |

Sensor variant with handle (H)

| SONOFLOW type | Accuracy (of reading) on specified tubing ¹ | | Typical flow range ² |
|------------------|--|-----------------------|---------------------------------|
| | Low flow range | High flow range | |
| CO.55/1000H V3.0 | 0 ... 3 500 ml/min: ± 35 ml/min | > 3 500 ml/min: ± 1 % | 0 ... 30 000 ml/min |
| CO.55/1125H V3.0 | 0 ... 4 000 ml/min: ± 40 ml/min | > 4 000 ml/min: ± 1 % | 0 ... 40 000 ml/min |
| CO.55/1375H V3.0 | 0 ... 6 000 ml/min: ± 60 ml/min | > 6 000 ml/min: ± 1 % | 0 ... 80 000 ml/min |

1) Accuracy based on standard calibration conditions as listed. Accuracy depends on tubing, tubing variations, temperature, fluid properties, clamping and other conditions (design of inlet and outlet section).

The specified accuracy values are based on standardized test conditions. Depending on the application, accuracy – especially in the lower flow range – may be further improved by on-site adjustments. For further questions, please contact our sales team.

2) Maximum flow: limited by tubing and pump capacity only.

Calibration conditions

Sensors are factory calibrated under the following standard conditions:

- Tubing as listed in table 'Tubing properties', not sterilized
- Water at 23 °C ± 2 K
- Warm up: at least 30 min
- Zero calibration after clamp-on
- Open tubing outlet (pressure close to zero)

Besides recalibrations of our flow sensors we offer safety inspections and repair service for all our products. Contact us!

Tubing properties

Typical types of tubes are listed below. The sensors are also suitable for comparable flexible tubes (different tube manufacturers, diameters, materials such as PVC, TPE, etc.). If possible, provide a tubing sample (minimum length 75 cm) along with your order.

Sensor variant with cover clasp

Tube type:

Masterflex® precision pump tubing, platinum-cured silicone, not sterilized*

| SONOFLOW type | Tubing ID | Tubing OD | Tubing details from the manufacturer | |
|-----------------|----------------|----------------|--------------------------------------|-------------------|
| CO.55/0250 V3.0 | 1/8" [0.125"] | 1/4" [0.250"] | L/S® 16 | Item No. 96410-16 |
| CO.55/0375 V3.0 | 1/4" [0.250"] | 3/8" [0.375"] | L/S® 17 | Item No. 96410-17 |
| CO.55/0438 V3.0 | 1/4" [0.250"] | 7/16" [0.438"] | L/S® 24 | Item No. 96410-24 |
| CO.55/0500 V3.0 | 5/16" [0.313"] | 1/2" [0.5"] | L/S® 35 | Item No. 96410-35 |
| CO.55/0625 V3.0 | 3/8" [0.375"] | 5/8" [0.625"] | I/P® 73 | Item No. 96410-73 |
| CO.55/0750 V3.0 | 1/2" [0.5"] | 3/4" [0.75"] | I/P® 82 | Item No. 96410-82 |

Sensor variant with handle (H)

Tube type:

Saint-Gobain® C-Flex® tubing, thermoplastic elastomer (TPE), not sterilized*

| SONOFLOW type | Tubing ID | Tubing OD | Tubing details from the manufacturer | |
|------------------|--------------|-----------------|--------------------------------------|---------------------|
| CO.55/1000H V3.0 | 3/4" [0.75"] | 1" | 374 | Item No. 374-750-4 |
| CO.55/1125H V3.0 | 3/4" [0.75"] | 1 1/8" [1.125"] | 374 | Item No. 374-750-6 |
| CO.55/1375H V3.0 | 1" | 1 3/8" [1.375"] | 374 | Item No. 374-1000-6 |

* Gamma sterilization, x-ray sterilization, or autoclaving of the tubing may impact its material properties, potentially affecting sensor readings. Recalibration may be required after tubing sterilization.

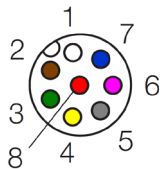
Sensor interfaces

| Interface | Specifications |
|-------------------------|--|
| Current output | 0 (4) ... 20 mA Resolution: < 1 μ A Update rate: up to 1 kHz Configurable for flow range Load to GND. The max. load depends on the operating voltage: 12 V \rightarrow 250 Ω 15 V \rightarrow 500 Ω 24 V \rightarrow 1 k Ω 30 V \rightarrow 1.2 k Ω |
| RS-485 interface | RS-485 bus operation: max. 12 subscribers Default address: #01 Available protocols: <ul style="list-style-type: none">• SONOTEC protocol: Half-duplex operation 115 200 baud No parity 1 stop bit no handshaking• Modbus[®] protocol: configurable settings via software |
| Switching output | Switching characteristics: PNP / NPN / Push-pull 0 ... 30 V max. 100 mA PWM output period: 0.1 ms ... 1 000 ms Output range 0 ... 100 % or 5 ... 95 % Smallest pulse length: 5 μ s Configurable as: <ul style="list-style-type: none">• Volume switch (adapting batch process / dosing)• Threshold switch of flow• Pulses of volume (flexible pulse length, max. 20 kHz)• Flow rate (via frequency or duty cycle)• Status information via switch |
| Digital input | Internal pull-up to operating voltage (100 k Ω) Voltage resistant up to 30 V Configurable for: <ul style="list-style-type: none">• Zero point calibration of flow• Start dosing processes (reset volume) (Either separate or simultaneous execution possible) |

Electrical specifications and connections

| Parameter | Specifications |
|------------------------------|---|
| Operating voltage | 12 ... 30 VDC Maximum ripple: 10 % Protection against reverse-polarity (external fuse, if required: min. 200 mA) |
| Current consumption | Maximum 60 mA (with open current, frequency and switching output, depending on supply voltage) Inrush current (during start-up < 10 ms): < 350 mA at 12 V, < 150 mA at 24 V |
| Electrical connection | 8-pin M12 connector DIN EN 61076-2-101:2012 |

8 pin connector to 8 pole cable

| Connection | Pin | Assignment | Color |
|--|---|-------------------------------------|--------|
|  <p>Male connector (at the sensor)</p> | 1 | Ground | White |
| | 2 | Operating voltage | Brown |
| | 3 | Current output | Green |
| | 4 | RS-485 B | Yellow |
| | 5 | RS-485 A | Gray |
| | 6 | (not assigned) | Pink |
| | 7 | Switching output / frequency output | Blue |
| | 8 | Digital input | Red |
| Shielding | Cable shield must be connected to housing | | |

General data

| Parameter | Specifications |
|--------------------------|--|
| Measuring method | Ultrasonic time of flight measurement |
| Sensor materials | Measuring channel: ABS Housing: anodized aluminum Cover bridge (depending on type): resin Connector: stainless steel |
| Mounting | 4 threaded mounting holes (see 'Technical drawings') |
| Maintenance | Maintenance-free |
| Directives and standards | <ul style="list-style-type: none">• EMC Directive 2014/30/EU• RoHS Directive 2011/65/EU, exception: III 7cl/ IV 15; RoHS 2015/863• Acoustic emission: IEC 61157:2007 + A1:2013 |

Conditions of use

| Parameter | Specifications |
|------------------------------|--|
| Customized calibration | Standard calibration according to factory specification. Calibration to deviating, flexible customer tubing, fluid, flow range, temperature, etc. on request. |
| Operating conditions | Adaptation to different tubes or operating conditions by parameter settings (with the help of optionally available software). |
| Media | Water or similar liquids |
| Ambient- / Media temperature | 0 ... 60 °C (other temperatures available on request) |
| Storage temperature | -20 ... +70 °C |
| Degree of protection | IP65 |

Scope of supply and accessories

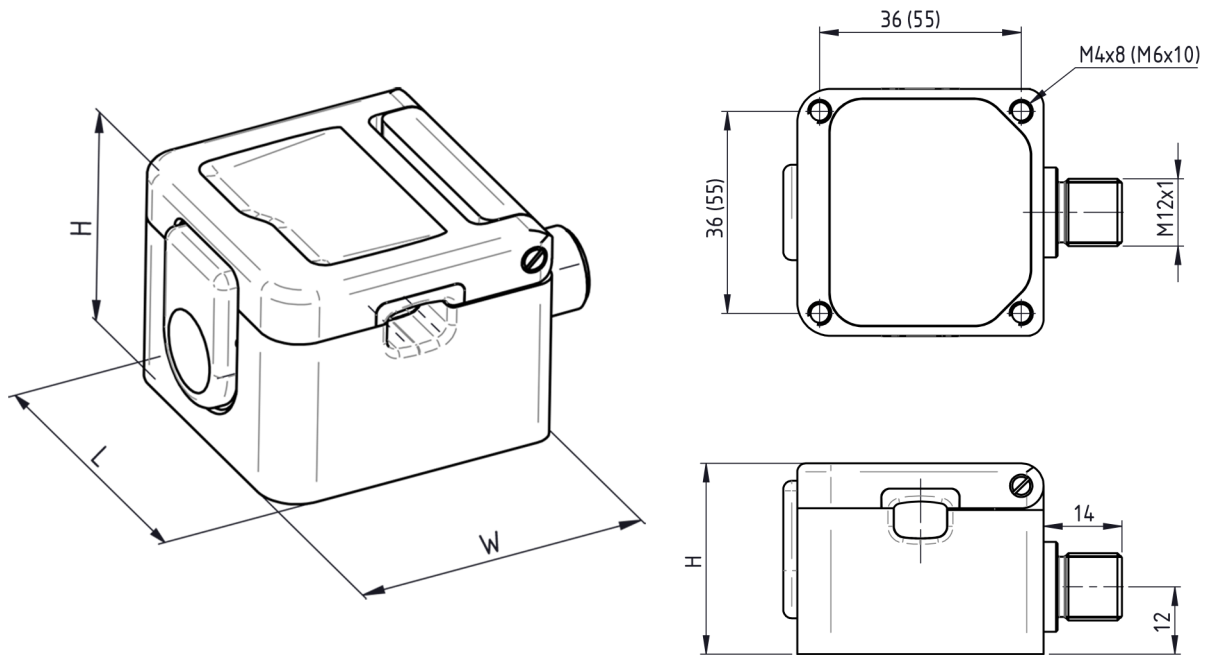
| Parameter | Specifications | | | | |
|---|--|--|---|---|--|
| Scope of supply | <ul style="list-style-type: none">• Sensor SONOFLOW CO.55 V3.0 according to specification• User documentation• Calibration report | | | | |
| Optional accessories | Software: Adjusting parameters, recording measurement data, updating the sensor software | | | | |
| Software variants: | <table><tbody><tr><td>Monitor software set for SONOFLOW CO.55 / IL.52, consisting of</td><td>Monitor software set for SONOFLOW CO.55/IL.52 portable, consisting of</td></tr><tr><td><ul style="list-style-type: none">• Flow Monitor software package• USB data converter, type 013• USB cable, type A - B, 2 m• Connecting cable, M12 connector: 8-pole, 2 m• Switching power supply, 12 V, incl. international plug adapters• User documentation</td><td><ul style="list-style-type: none">• Flow Monitor software package• Portable USB data converter, type 023• User documentation</td></tr></tbody></table> | Monitor software set for SONOFLOW CO.55 / IL.52, consisting of | Monitor software set for SONOFLOW CO.55/IL.52 portable, consisting of | <ul style="list-style-type: none">• Flow Monitor software package• USB data converter, type 013• USB cable, type A - B, 2 m• Connecting cable, M12 connector: 8-pole, 2 m• Switching power supply, 12 V, incl. international plug adapters• User documentation | <ul style="list-style-type: none">• Flow Monitor software package• Portable USB data converter, type 023• User documentation |
| Monitor software set for SONOFLOW CO.55 / IL.52, consisting of | Monitor software set for SONOFLOW CO.55/IL.52 portable, consisting of | | | | |
| <ul style="list-style-type: none">• Flow Monitor software package• USB data converter, type 013• USB cable, type A - B, 2 m• Connecting cable, M12 connector: 8-pole, 2 m• Switching power supply, 12 V, incl. international plug adapters• User documentation | <ul style="list-style-type: none">• Flow Monitor software package• Portable USB data converter, type 023• User documentation | | | | |
| | Portable USB Data Converter Type 023 for <ul style="list-style-type: none">• Mobile operation of sensors via a standard USB power socket or power bank• Triggering of functions stored for the digital sensor input ('push button switch') | | | | |
| | Remote Display RD.10 including connecting cable for <ul style="list-style-type: none">• Monitoring sensor performance (display e.g. current flow rate, volume or measuring state)• Zero calibration• Manual volume reset | | | | |
| | EtherNet/IP Gateway programmed for SONOTEC <ul style="list-style-type: none">• Serial communication with an EtherNet/IP-based system (e.g. PLC)• Support of up to 12 sensors• Pre-configured parameters and commands (library with Modbus registers for time-saving installation) | | | | |

Sensor dimensions and technical drawings

Drawings are not to scale. Dimensions in mm, unless otherwise specified.
 Design data (STEP files) for integration will be provided upon request. Please contact us.

Sensor variant with cover clasp

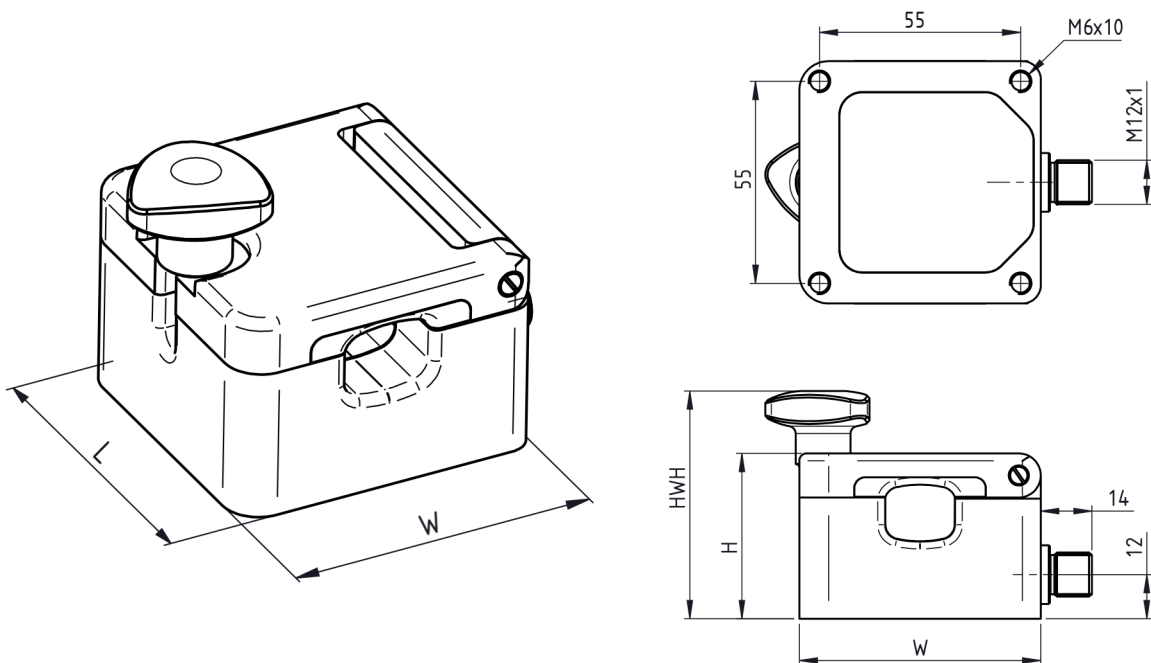
| SONOFLOW type | Product No | Dimensions (L x W x H) | Mounting holes | Mounting hole spacing | Weight (approx.) |
|-----------------|-------------|------------------------|----------------|-----------------------|------------------|
| CO.55/0250 V3.0 | 200 08 0117 | 44 x 44 x 37 mm | M4 x 8 mm | 36 mm | 140 g |
| CO.55/0375 V3.0 | 200 08 0118 | 44 x 44 x 37 mm | M4 x 8 mm | 36 mm | 140 g |
| CO.55/0438 V3.0 | 200 08 0170 | 44 x 44 x 38 mm | M4 x 8 mm | 36 mm | 140 g |
| CO.55/0500 V3.0 | 200 08 0139 | 44 x 44 x 39 mm | M4 x 8 mm | 36 mm | 140 g |
| CO.55/0625 V3.0 | 200 08 0133 | 66 x 66 x 45 mm | M6 x 10 mm | 55 mm | 400 g |
| CO.55/0750 V3.0 | 200 08 0120 | 66 x 66 x 45 mm | M6 x 10 mm | 55 mm | 400 g |



Sensor variant with handle (H)

For applications on tubes with large outer diameters, the corresponding sensors are equipped with a locking screw (handle) to assist handling when inserting the tube.

| SONOFLOW type | Product No | Dimensions (L x W x H) [Height with handle] | Mounting holes | Mounting hole spacing | Weight (approx.) |
|------------------|-------------|---|----------------|-----------------------|------------------|
| CO.55/1000H V3.0 | 200 08 0171 | 66 x 66 x 54 [75] mm | M6 x 10 mm | 55 mm | 450 g |
| CO.55/1125H V3.0 | 200 08 0173 | 66 x 66 x 57 [78] mm | M6 x 10 mm | 55 mm | 450 g |
| CO.55/1375H V3.0 | 200 08 0140 | 66 x 66 x 62 [80] mm | M6 x 10 mm | 55 mm | 450 g |



Information is subject to change without notice. Latest published version of this documentation online. SONOTEC is a registered trademark.



Manufacturer

SONOTEC GmbH
Headquarters Site 2
Thüringer Str. 33 Nauendorfer Str. 2 Tel.: +49 345 13317-0
06112 Halle (Saale) 06112 Halle (Saale) sonotec@sonotec.de
Germany www.sonotec.eu

Contact USA

SONOTEC US Inc.
10 Newton Pl., Ste. 100 Tel.: +1 631 4154758
Hauppauge, NY 11788 sales@sonotecusa.com
USA www.sonotecusa.com